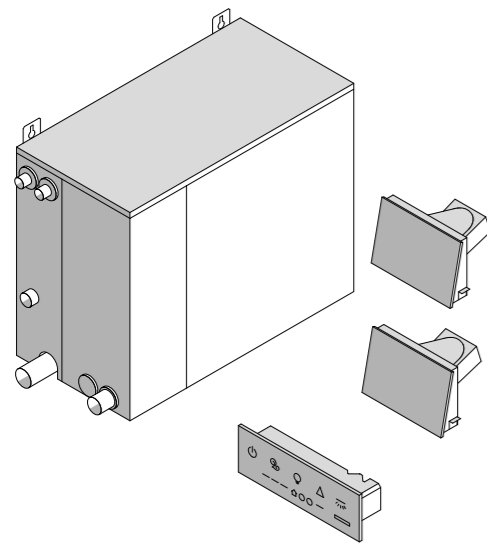


# NUVOLA SMART POWER 110 - 140 - 180



## NUVOLA SMART POWER 110

Space volume (cubic metres): 9,2 - 12  
 Power: 11,0 kW max - 230Vac 1N 50-60Hz - 400Vac 3N 50-60Hz  
 Steam generation: 16,2 Kg/h max

Control panel mounting box	CH 90 00 0182
Steam diffuser counterbox	CH 90 00 0187 x 2
Nuvola Smart Power 110	HA 50 52 0007
<b>Total Price</b>	

[Technical card download](#)

## NUVOLA SMART POWER 140

Space volume (cubic metres): 12 - 15  
 Power: 14,0 kW max - 230Vac 1N 50-60Hz - 400Vac 3N 50-60Hz  
 Steam generation: 20,7 Kg/h max

Control panel mounting box	CH 90 00 0182
Steam diffuser counterbox	CH 90 00 0187 x 2
Nuvola Smart Power 140	HA 50 52 0008
<b>Total Price</b>	

[Technical card download](#)

## NUVOLA SMART POWER 180

Space volume (cubic metres): 15 - 25  
 Power: 18,0 kW max - 230Vac 1N 50-60Hz - 400Vac 3N 50-60Hz  
 Steam generation: 26,2 Kg/h max

Control panel mounting box	CH 90 00 0182
Steam diffuser counterbox	CH 90 00 0187 x 2
Nuvola Smart Power 180	HA 50 52 0009
<b>Total Price</b>	

[Technical card download](#)

### STEAM GENERATOR DIMENSIONS

cm 52 x 26 x 45 h

### CONTROL PANEL DIMENSIONS

Mounting box : cm 19 x 8 x 4,3 h  
 Control Panel : cm 18 x 6 h

### STEAM DIFFUSER DIMENSIONS

Mounting box : cm 18 x 10 x 15,2 h  
 Diffuser : cm 18,2 x 4,5 x 12,3 h

### STEAM GENERATOR

#### Features:

- › **RWF** Regulating water flow - Can work on a wide range of water systems with different pressures
- › **SWF** Smart Water Filling - Optimised management of boiler filling
- › **SBC** Smart Boiler Cleaning - Dilution and intermediate rinsing processes not time controlled but based on real need
- › **SEC** Smart Energy Control - Evenly spaced on/off periods for the heating elements
- › **ODS** Open Door Sensor - Open Door Sensor
- › **ECC** - Effegibi Comfort Control - This system is incorporated into every Effegibi steam generator so that the turkish bath can be remotely controlled, just download the app Effegibi experience to your tablet or smartphone. Available on iOS.
- › Diverter carrying water to the outlet

### STEAM DIFFUSER (2 pieces)

#### Features:

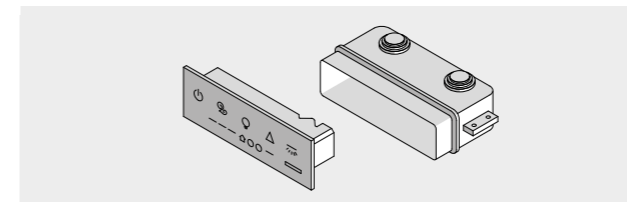
Adjustable flaps to control the outgoing steam direction  
 Cubicle air-recirculation system built into the water-resistant fan  
 Essential oils container  
 Steam output led light  
 Additional temperature probe inside the diffuser

### TOUCH-SCREEN CONTROL PANEL

with backlit icons and temperature gauge

# Options

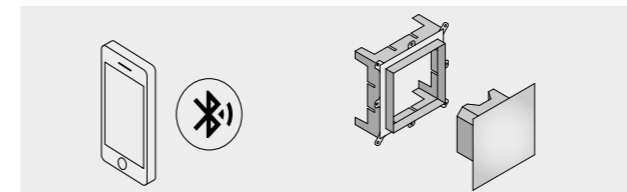
NOTE: NUVOLA SMART POWER 110 - 140 - 180 CAN POWER UP TO 2 OPTIONAL CEILING LIGHT FITTINGS OF YOUR CHOICE FROM THE ESS - EFFEGIBI SOUND SYSTEM, COLOUR THERAPY AND WHITE LIGHT.



### Remote touch-screen control panel

Control panel dimensions: cm 18 x 6  
 Mounting box dimensions: cm 19 x 8 x 4,3 h

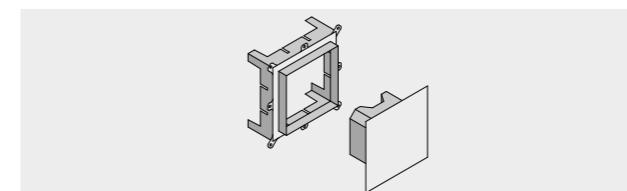
Counterbox	CH 90 00 0182
Remote touch-screen control panel	ME 60 00 0042
<b>Total Price</b>	



### ESS - Effegibi Sound System Kit with colour therapy, white light and Bluetooth speakers

Light fixture dimensions: cm 20 x 20 x 2  
 Mounting box dimensions: cm 20,5 x 20,5 x 10,6 h  
 IP X5 class - Built-in loudspeakers, each 2W - 8 Ohm  
[More information](#)

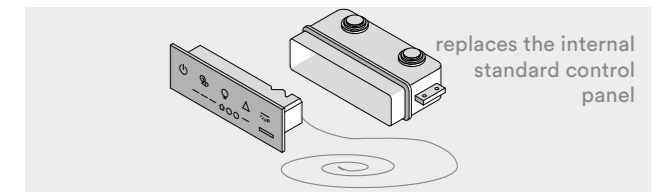
Counterbox	CH 90 00 0174
ESS kit with ceiling light fitting	HA 70 10 0008
<b>Total Price</b>	



### White light fixture

Light fixture dimensions: cm 20 x 20 x 2  
 Mounting box dimensions: cm 20,5 x 20,5 x 10,6 h  
 IP X5 class

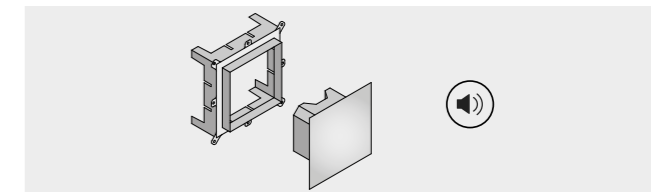
Counterbox	CH 90 00 0174
White light fixture	HA 70 00 0009
<b>Total Price</b>	



### Remote control panel with remote temperature probe

Control panel dimensions: cm 18 x 6  
 Mounting box dimensions: cm 19 x 8 x 4,3 h

Counterbox	CH 90 00 0182
Remote touch-screen control panel	ME 60 00 0049
<b>Total Price</b>	



### Ceiling light fixture with colour therapy, white light and passive loudspeakers

Light fixture dimensions: cm 20 x 20 x 2  
 Mounting box dimensions: cm 20,5 x 20,5 x 10,6 h  
 IP X5 class - Built-in loudspeakers, each 2W - 8 Ohm  
[More information](#)

Counterbox	CH 90 00 0174
Colour therapy and loudspeakers	HA 70 10 0005
<b>Total Price</b>	



### Multifunctional Home-Automation Device

Device for managing such additional functions as fan, extractor or essential oils pump.  
 Enables the product to be connected to and integrated with home-automation systems.

Cod.	ME 99 00 0334
------	---------------